**NK9/16-TV-XL**

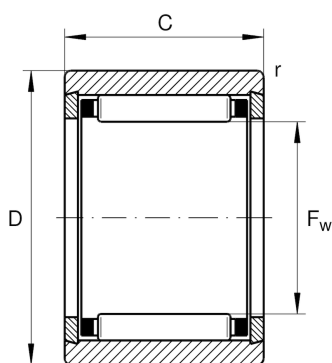
Needle roller bearing

Schaeffler ID:
0507532820000

Needle roller bearings NK, light series

X-life

Technical information

**Main Dimensions & Performance Data**

F_w	9 mm	Under roller diameter
D	16 mm	Outside diameter
C	16 mm	Width, outer ring
C_r	6,600 N	Basic dynamic load rating, radial
C_{0r}	7,100 N	Basic static load rating, radial
C_{ur}	1,210 N	Fatigue load limit, radial
n_G	31,000 1/min	Limiting speed
n_{gr}	32,000 1/min	Reference speed
	12.7 g	Weight

Additional information

r_{min}	0.3 mm	Minimum chamfer dimension
	G9X16X3	Sealing ring

Temperature range

T_{min}	-20 °C	Operating temperature min.
T_{max}	120 °C	Operating temperature max.